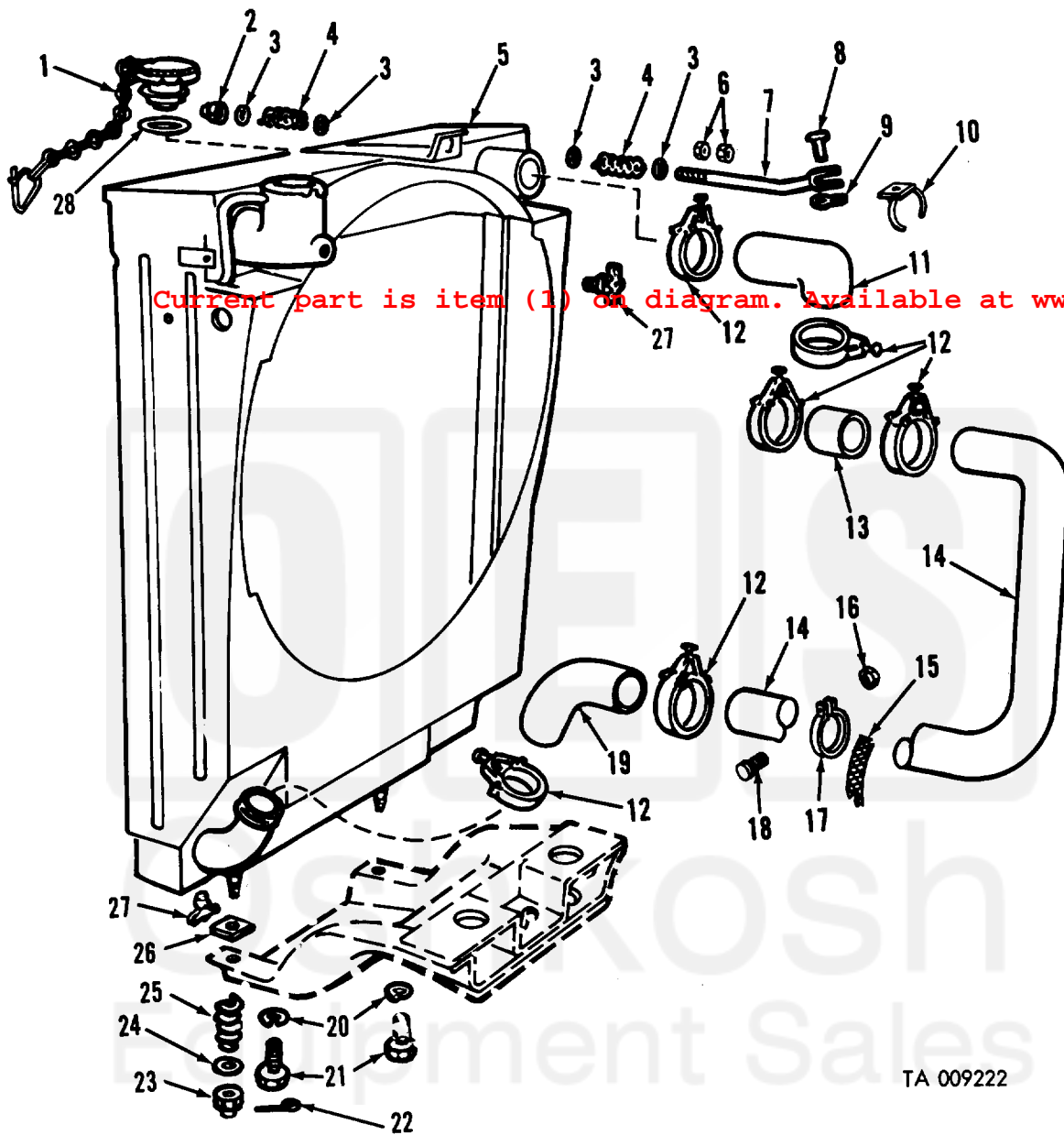


(1)	(2)	(3)	(4)	(5)	(6)	(7)	Current part is item (1) on diagram. Available at www.oshkoshequipment.com				
SMR Code	Federal Stock Number	Description	Unit	Meas. In Unit	Qty	15-day	Organizational	alw	Illustration		
		Reference number & mfg. code	Usable on code		(a)	(b)	(c)	(d)	Figure	Item	
					1-5	6-20	21-50	51-100	No.	No.	
		0401-MUFFLER AND PIPES-CONTINUED NONILLUSTRATED-CONTINUED									
PAOZZ	2990-385-7997	PIPE,EXHAUST: ASSEMBLY 8404205 (19207)	LA,MA	EA	1	*	*	*	*		
PAOZZ	2990-649-9484	PIPE,EXHAUST: EXTENSION,TAIL PIPE 7059574 (19207)	EA,EB,EC	EA	1	*	*	*	*		
PAOZZ	2990-734-8826	CALMP: EXHAUST PIPE(MULTIFUEL) 119076H (31007)	AB	EA	6	*	*	*	*		
		GROUP 05-COOLING SYSTEM									
		0501-RADIATOR									
PAOZZ	2930-741-1061	CAP,RADIATOR WITH CHAIN: 7411061 (19207)	AB,AC	EA	1	*	*	*	*	40	1
PAOZZ	2930-720-2677	CAP,RADIATOR PRESSURE: MS35840-1 (96906)	AB	EA	1	*	*	*	*	40	1
PAOZZ	5310-950-0039	NUT,SELF-LOCKING,HEXAGON: RADIATOR MS21044N6 (96906)	AB,AC	EA	1	*	*	*	*	40	2
PAOZZ	5310-080-6004	WASHER,FLAT:.406 ID, RADIATOR MS27183-14 (96906)	AB,AC	EA	4	*	*	*	*	40	3
PAOZZ	2930-832-7014	SPRING,HELICAL,COMPRESSION: RADIATOR SUPPORT ROD 8327014 (19207)	AB,AC	EA	2	*	*	*	*	40	4
PAOFF	2930-169-5759	RADIATOR,ENGINE COOLING: 11640319 (19207)	AB,AC	EA	1	*	*	*	*	40	5
PAOFF	2930-972-2597	RADIATOR,ENGINE COOLING: (DIESEL) 3MFAX559 (76040)	AC	EA	1	*	*	*	*	40	5
PAOFF	2930-045-2672	RADIATOR,ENGINE COOLING: MULTIFUEL 8737820 (19207)	AB	EA	1	*	*	*	*	40	5
PAOZZ	5310-975-2075	NUT,PLAIN,HEXAGON: RADIATOR MS35691-21 (96906)	AB,AC	EA	2	*	*	*	*	40	6
PAOZZ	5340-737-5657	ROD,CLEVIS END: RADIATOR SUPPORT 7375657 (19207)	AB,AC	EA	1	*	*	*	*	40	7
PAOZZ	5315-815-8840	PIN: RADIATOR SUPPORT ROD MS35810-34 (96906)	AB,AC	EA	1	*	*	*	*	40	8
PAOZZ	5315-842-3044	PIN,COTTER: RADIATOR SUPPORT ROD MS24665-283 (96906)	AB,AC	EA	1	*	*	*	*	40	9
XBOZZ		BRACKET: RADIATOR SUPPORT RID 80MFX278 (76040)	AB,AC	EA	1					40	10
PAOZZ	2930-064-3926	HOSE,PREFORMED: RADIATOR INLET 8712139 (19207)	AC	EA	1	*	*	*	*	40	11
PAOZZ	4730-720-1398	CLAMP,HOSE: RADIATOR MS35842-5 (96906)	AC	EA	6	*	*	*	*	40	12



Current part is item (1) on diagram. Available at www.oshkoshequip.com

TA 009222

Figure 40. Radiator (diesel).

Current part is item (1) on diagram. Available at www.oshkoshequip.com